

Montageanleitung Side-by-Side Kombination
Installation instructions Side-by-Side combinations
Instructions de montage Combiné Side-by-Side
Montagehandleiding Side-by-Side-combinatie
Istruzioni per il montaggio Side-by-Side
Instrucciones de montaje para la instalación Side-by-Side
Instruções de montagem para um combinado Side-by-Side
Návod k montáži pro Side-by-Side kombinaci
Instrukcja montażu typu side-by-side Połączenie
Руководство по монтажу Side-by-Side
Посібник зі встановлення Side-by-Side
Οδηγός συναρμολόγησης Συνδυασμός Side-by-Side
Montagevejledning Side-by-Side-kombination
Asennusohje Side-by-Side yhdistelmä
Monteringsanvisninger for SBS-kombinasjonen
Monteringsanvisning för Side-by-Side kombination

D

GB

F

NL

I

E

P

CZ

PL

RUS

UA

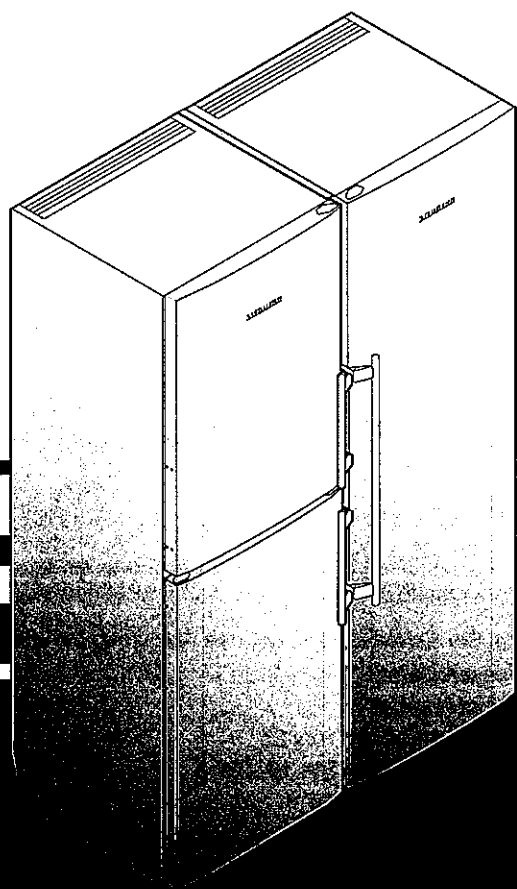
GR

DK

FIN

N

S



220709 **7084534 - 00**

SBS ...

Contents

1	General safety information.....	5
2	External dimensions of the appliance.....	5
3	Side-by-Side Assembly.....	5




The manufacturer works constantly on the further development of all the types and models. Therefore please understand that we have to reserve the right to make design, equipment and technical modifications.

To get to know all the benefits of your new appliance, please read the information contained in these instructions carefully.

The instructions apply to several models. Differences may occur. Text relating only to specific appliances is marked with an asterisk (*).

Instructions for action are marked with a ►, the results of action are marked with a ▷.

1 General safety information

	DANGER	identifies a situation involving direct danger which, if not obviated, may result in death or severe bodily injury.
	WARNING	identifies a dangerous situation which, if not obviated, may result in death or severe bodily injury.
	CAUTION	identifies a dangerous situation which, if not obviated, may result in minor or medium bodily injury.
	NOTICE	identifies a dangerous situation which, if not obviated, may result in damage to property.

	Note	identifies useful information and tips.
--	-------------	---

It is important that the procedures and directions given in these instructions are complied with in order that the appliance is correctly installed and works properly. Read and grasp all the information in these instructions before the appliance is installed.

2 External dimensions of the appliance

Appliance designation	Height A (mm)
SBS(es) 6352	1664
SBS(es) 7252	1841
SBS(esf) 7212	1841
SBSes 7155	1841
SBSes 7253	1841
SBSes 7353	1841
SBS 7262	1841
SBSes 7263	1841
SBSes 7273	1841

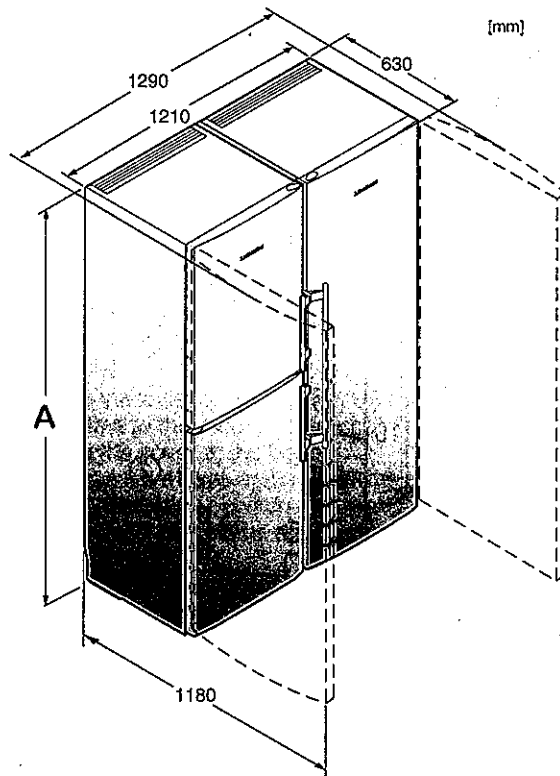


Fig. 1

3 Side-by-Side Assembly

Position the freezer or the appliance with a freezer compartment on the left, as viewed from the front. These appliances have a side wall heating system on the right-hand side to prevent condensate from forming.

All the assembly components accompany the appliance.

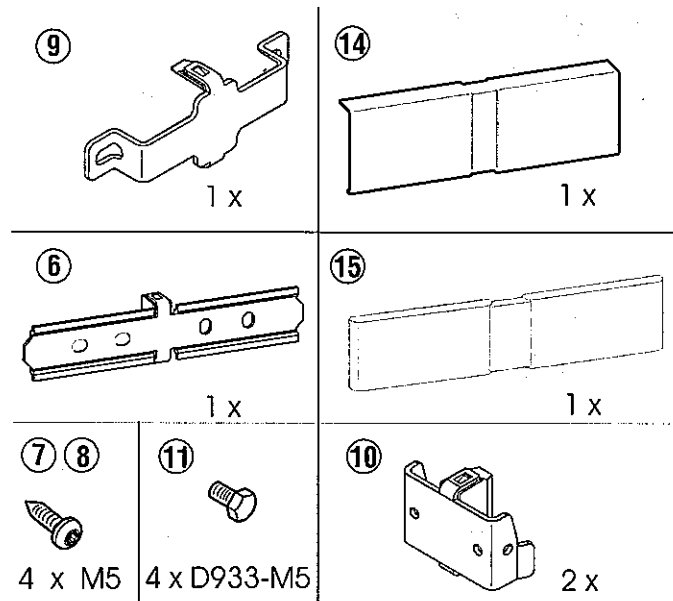


Fig. 2

Ensure that the following tools are to hand:

- spirit level
- cordless screwdriver
- Torx 25 screwdriver
- spanners size 19, size 8
- box spanner size 5

► Strip all the protective sheeting off the outside of the housing.

Side-by-Side Assembly

- ▶ Fully retract the front adjustable feet B* of both appliances.
- ▶ Align each appliance individually using a spirit level.

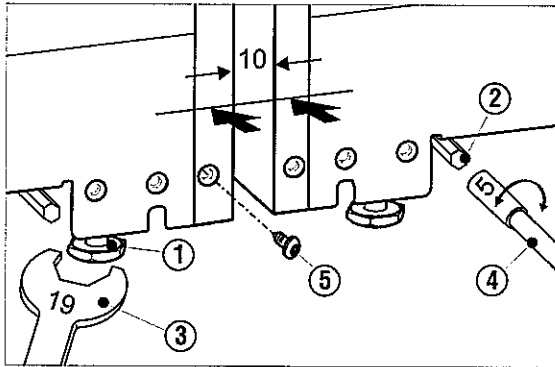
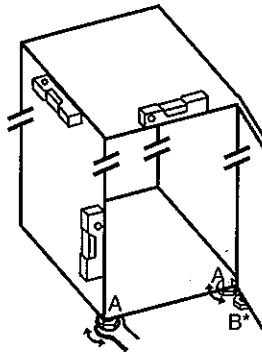


Fig. 3

- ▶ Push the two appliances together so that they are 10 mm apart and flush at the front.
- ▶ Align the appliances using the front adjustable feet Fig. 3 (1) (spanner size 19 Fig. 3 (3)), and the adjusting spindles Fig. 3 (2) of the rear adjustable feet (box spanner size 5 Fig. 3 (4)). Use a spirit level for accurate alignment.

Note

- ▶ The appliance tops have to be on a level and in the same plane. This is imperative for the covers to fit properly.
- ▶ Do not move the combined appliance before all the mounting brackets have been firmly fitted.
- ▶ If your appliance was equipped with the prefitted screw Fig. 3 (5); undo the screw before beginning the SBS assembly.

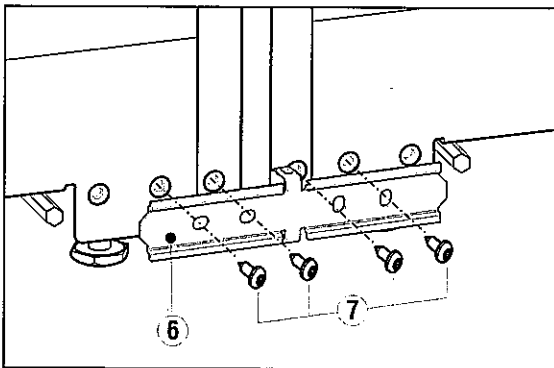


Fig. 4

- ▶ Press the appliances together and realign them and, using the accompanying screws Fig. 4 (7), firmly screw on the mounting bracket Fig. 10 (6).

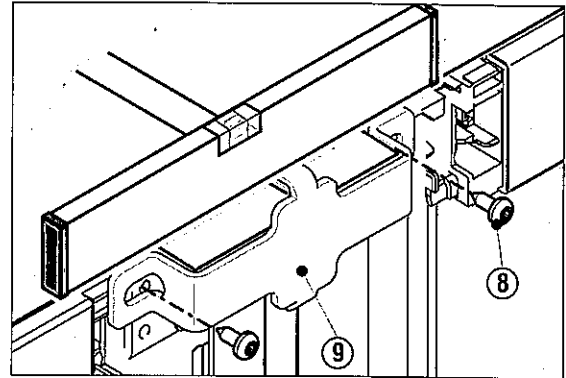


Fig. 5

- ▶ Press the appliances together and realign them and as you do so, using the screws Fig. 5 (8), screw on the large mounting bracket Fig. 5 (9). Possibly make preliminary holes with a baw-dawl or use a cordless screwdriver.

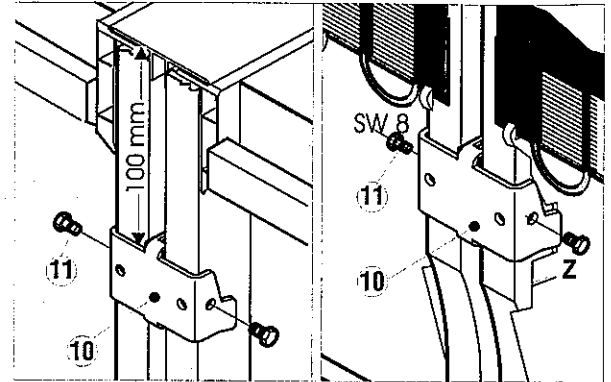


Fig. 6

- ▶ At the top and bottom back, attach the wide mounting brackets Fig. 6 (10).
- ▶ Slide the top mounting bracket upwards to a distance of 100 mm from the top edge.
- ▶ Insert the lower mounting bracket into the appropriate recess (Z).
- ▶ Firmly screw on the two mounting brackets Fig. 6 (10) using hexagon screws Fig. 6 (11) on the sides.

Note

- ▶ Neither the brackets nor the screws may come into contact with the piping at the rear, so as to prevent any vibratory noise!

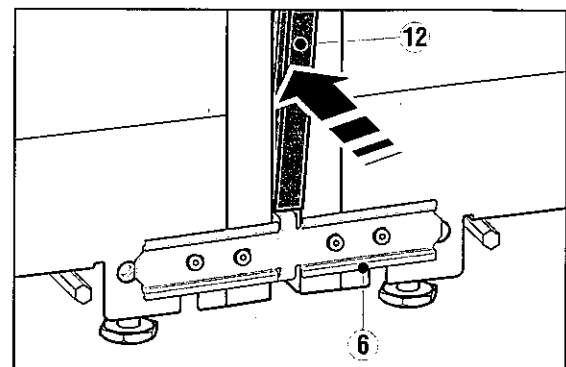


Fig. 7

Before insertion, press together the two sides of the cover strip Fig. 7 (12) over the entire length. Then the strip can be inserted more easily into the gap. Use a soft cloth for pressing so as to prevent indentations in the surface of the cover strip. Press the strip into the gap carefully and straight so as to achieve an optimal connection.

- ▶ On the front, press the long cover strip Fig. 7 (12) into the vertical gap. Pay attention that the strip rests on the mounting bracket Fig. 7 (6).
- ▶ Strip the protective sheeting off the cover strip.

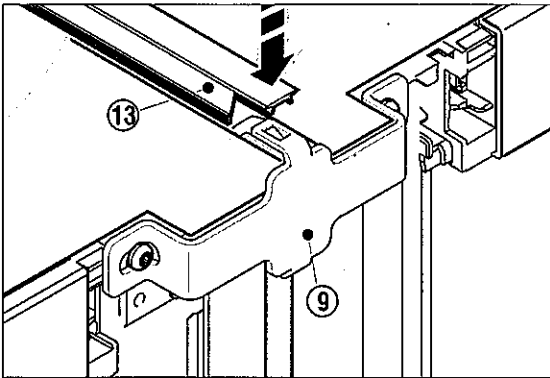


Fig. 8

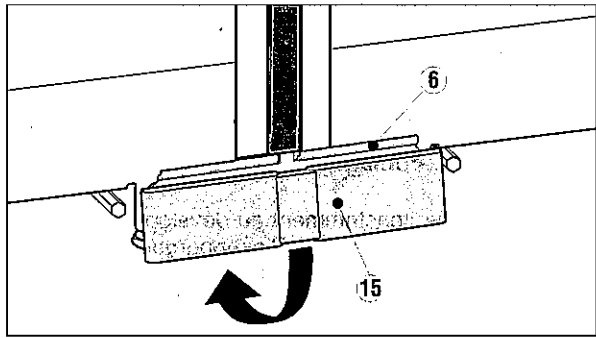


Fig. 10

- ▶ On the top, press the short strip Fig. 8 (13) into the gap. Pay attention that the cutaway of the strip points in the direction of the front of the appliances. The strip has to end flush with the top of the appliance at the front edge.
- ▶ Connect the combined appliance to the mains according to the operating instructions.
- ▶ Appliances with IceMaker:
- ▶ Plumb in the appliance according to the operating instructions.

- ▶ Take the lower cover Fig. 10 (15) from the accessory bag and attach it to the mounting bracket Fig. 10 (6) from above. Engage the cover at the bottom.
- ▶ Using a spirit level, again check the combined appliance in the final installation position and realign it if necessary.
- ▶ Re-extend the middle adjustable feet (A) until they touch the floor.
- ▶ Extend the adjustable foot Fig. 9 (16) at the turn hinge (B) to support the door.*

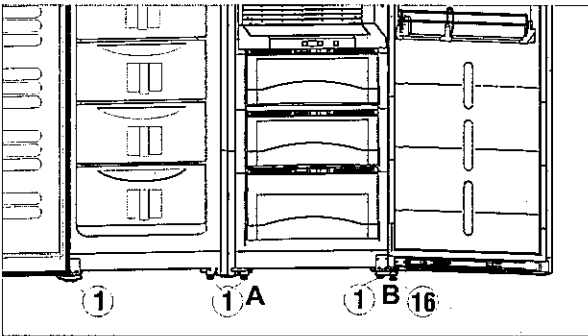
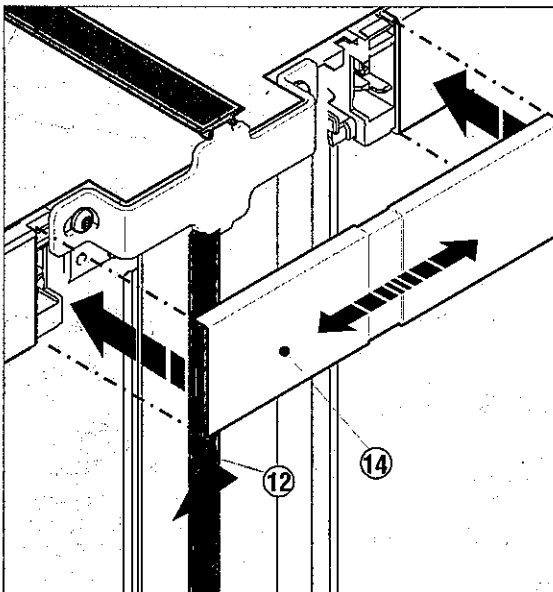


Fig. 9

- ▶ Retract the adjustable feet situated at the inside A for easier movement of the combined appliance.
- ▶ Carefully push the combined appliance into the position envisaged.



- ▶ Engage the cover Fig. 9 (14) over the gap remaining between the two control panels. Pay attention that the side faces of the cover end flush with the control panels. The cover is extendable for this purpose.